

# BENJAMIN SEGIL

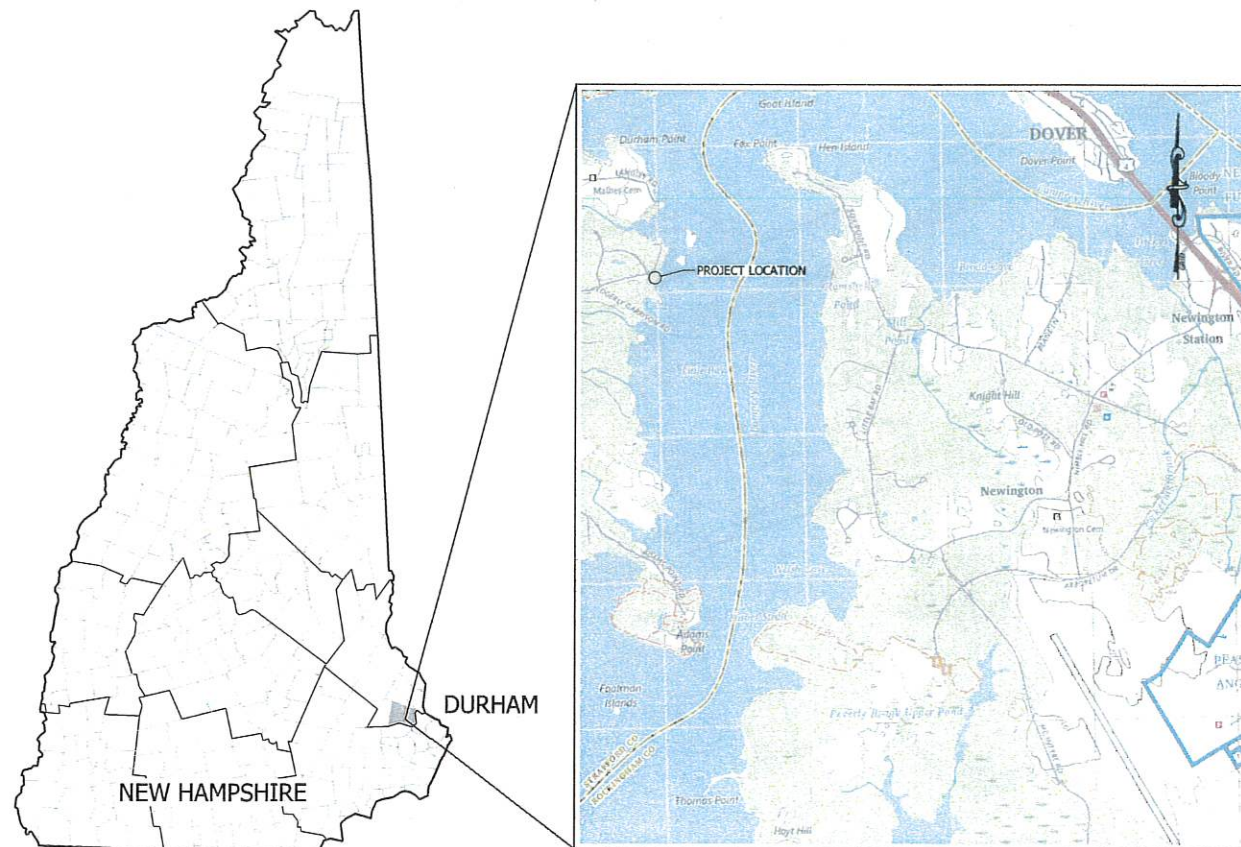
## SITE PLAN

DURHAM, NEW HAMPSHIRE  
APRIL 2026

RECEIVED  
Town of Durham

APR 21 2026

Planning, Zoning  
and Assessing



### LOCATION PLAN

SCALE: 1" = 2000'

WE CERTIFY THAT THE DURHAM PLANNING BOARD GAVE THIS  
SITE PLAN FINAL APPROVAL ON  
AND THAT THE BOARD FOUND THAT ALL CONDITIONS  
PRECEDENT TO FINAL APPROVAL HAD BEEN SATISFIED.

FINAL SITE PLAN  
APPROVED  
PLANNING BOARD  
Durham, New Hampshire

OWNER SIGNATURES:  
\_\_\_\_\_  
\_\_\_\_\_  
\_\_\_\_\_  
DATE: \_\_\_\_\_

**OWNER/CLIENT:**  
BENJAMIN SEGIL  
33 DEER STREET, UNIT 504  
DURHAM, NH 03603  
(603) 534-1515

**ENGINEER & SURVEYOR:**  
**verdantas**  
34 SCHOOL STREET  
LITTLETON, NH 03561  
(603) 444-4111

#### SHEET INDEX

CIVIL  
1 OF 1 COVER  
C 2.0 BOUNDARY SURVEY  
OVERALL SITE PLAN

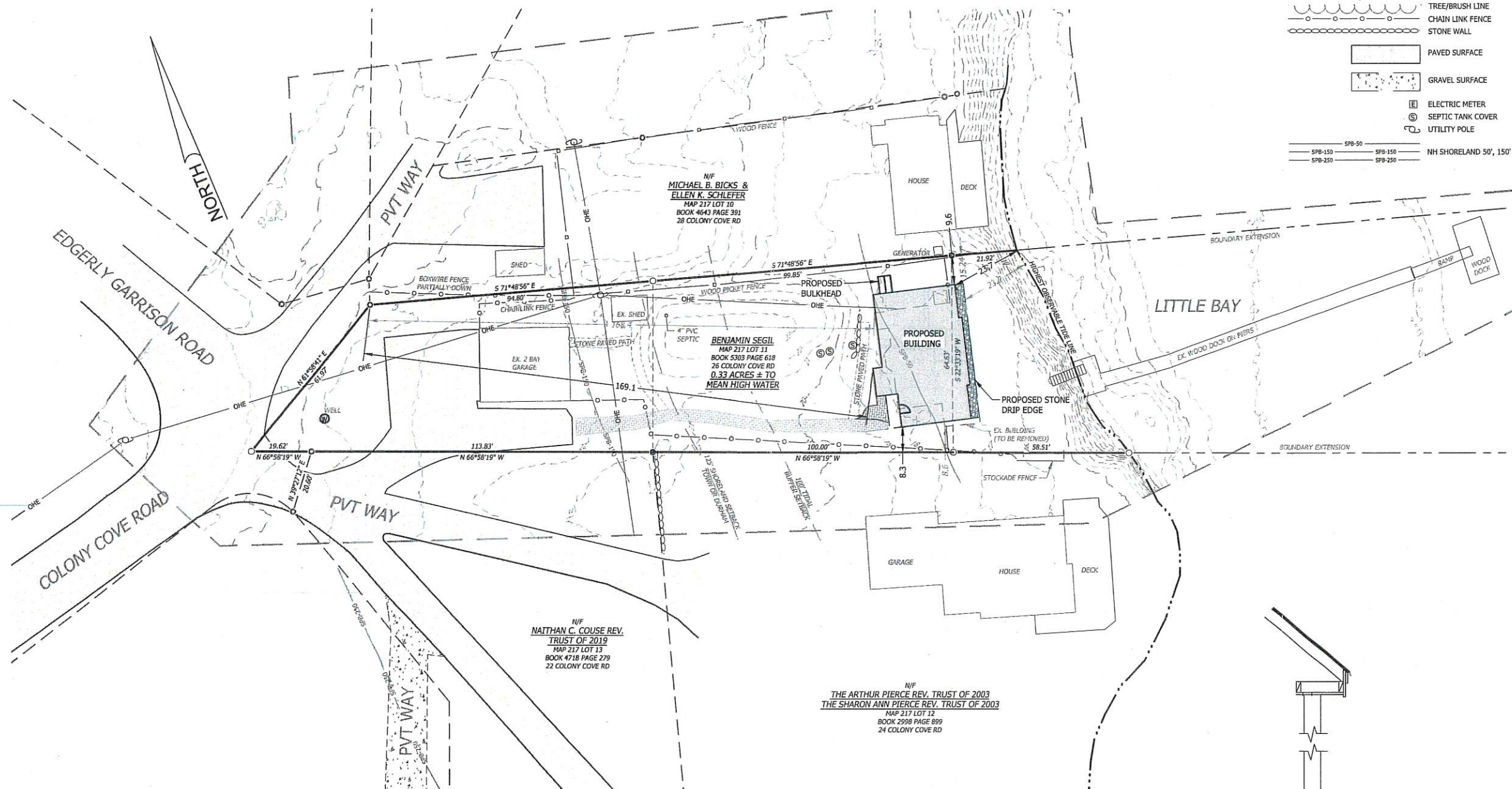
ARCHITECTURAL  
A1.01 FLOOR PLANS  
A2.00 EXTERIOR ELEVATIONS  
3D 3D VIEWS







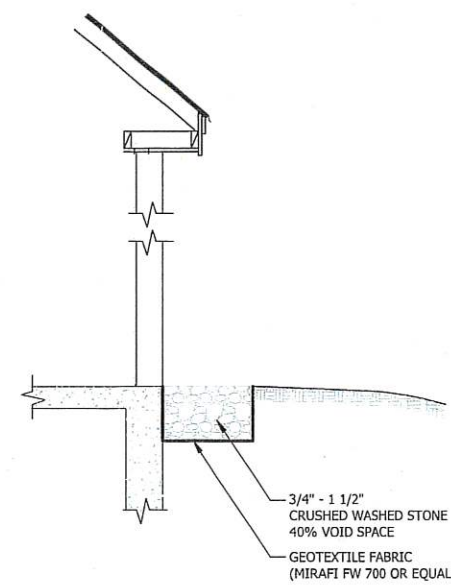
f:\proj\_2026\2026266\_ben\_segil\_mh\_silo\_plan\internal\civil\concept\2026266 concept-01.dwg 4/21/2026 10:17 AM



**LEGEND**

- IRON PIPE OR ROD FOUND
- CALCULATED CORNER
- PROPERTY LINE
- - - MAJOR CONTOUR (5')
- · - · MINOR CONTOUR (1')
- · - · APPROX. ABUTTING PROPERTY LINE
- · - · HIGHEST OBSERVABLE TIDE LINE
- · - · LIMIT OF FIELD TOPOGRAPHY
- OHE — OVERHEAD UTILITIES
- TREE/BRUSH LINE
- CHAIN LINK FENCE
- STONE WALL
- ▭ PAVED SURFACE
- ▭ GRAVEL SURFACE
- ⊞ ELECTRIC METER
- ⊞ SEPTIC TANK COVER
- ⊞ UTILITY POLE
- SPB-50 NH SHORELAND 50', 150' AND 250' SETBACKS
- SPB-150
- SPB-250

ZONING TABLE			
MIN. LOT SIZE	REQUIRED	EXISTING	PROPOSED
	150,000 S.F.	14,375 S.F.	-
MIN. FRONTAGE	300'	61.97'	-
MIN. FRONT SETBACK	30'	168'	169'
MIN. SIDE & REAR SETBACK	50'	N - 15', S - 8'	N - 9', S - 8'
MIN. SHORELAND FRONTAGE	200'	103.7'	-
MAX. BUILDING HEIGHT	30'/35'	16' ±	35'
MAX. IMPERVIOUS	20%	29.4%	31.5%
MIN. SHORELAND SETBACK	125'	23'	23'



**STONE DRIP EDGE DETAIL**  
NOT TO SCALE



**verdantas**

34 SCHOOL STREET  
LITTLETON, NH 03561  
FAX: 603.444.1343  
PHONE: 603.444.4111

ENGINEER'S\_NAME

DESIGNED BY  
XXX

DRAWN BY  
XXX

CHECKED BY  
XXX

PROJECT NO.  
260258

CHKD BY  
DATE

REVISION

**PRELIMINARY  
NOT FOR  
CONSTRUCTION**

No.

STATE: XXXXXX P.E. #####

DURHAM-NEW HAMPSHIRE

**BENJAMIN SEGIL  
SITE DEVELOPMENT  
PROPOSED SITE PLAN**

DATE

04/17/2026

SCALE

1" = 20'

SHEET

**C2.0**

