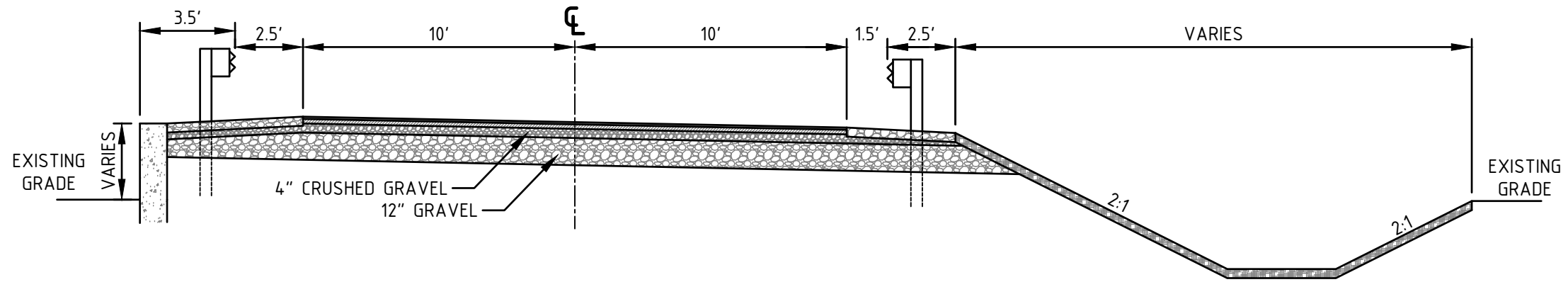


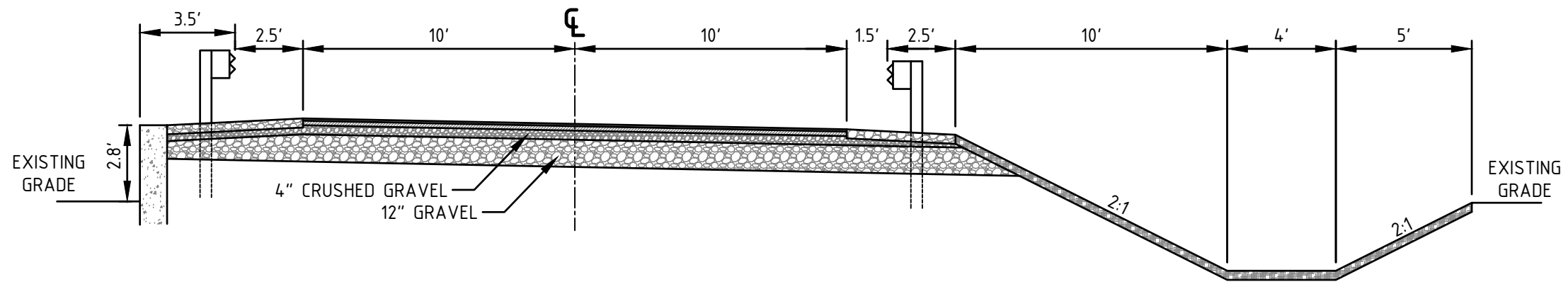
TYPICAL SUPERELEVATED DRIVEWAY CROSS-SECTION

N.T.S.



TYPICAL ROAD CROSS-SECTION

N.T.S.



ROAD CROSS-SECTION AT STA. 1+00

N.T.S.

date: 4/28/20
 SEAL:

SCALE: 1"=5'

DESIGNER: MJS

DRAWN BY: MCS


APPROVED BY: MJS

ROAD AND DRIVEWAY CROSS-SECTIONS
 prepared for

MULHERN

MAP 10, LOT 8-6

93 BAGDAD ROAD, DURHAM, NH 03824



MJS ENGINEERING, P.C.
 CIVIL • STRUCTURAL • ENVIRONMENTAL
 5 Railroad St., P.O. Box 359
 Newmarket, NH 03857
 Phone: (603) 659-4979, Fax: (603) 659-4627
 E-mail: mjs@mjs-engineering.com

JOB: 19-063
 SKC-1