

DESCRIPTION

The Halo Surface LED Downlight (SLD) incorporates WaveStream™ technology to create an ultra-low profile surface mounting luminaire with the performance and look of a traditional downlight. SLD is designed for installation in standard and fire-rated 3.5" and 4" junction boxes, and may also retrofit in 5" and 6" IC and Non-IC recessed housings*. Suitable for residential or commercial installations. Ideal for closets, storage areas, attics and basements. Compliant with NFPA® 70, NEC® Section 410.16 (A)(3) and 410.16 (C)(5).

SPECIFICATION FEATURES

CONSTRUCTION

- Die cast aluminum trim ring, and die formed aluminum frame

OPTICS

- WaveStream™ technology provides uniform luminance from a low profile flat lens
- AccuAim™ optics provide directional control for the "cone-of-light" beam distribution of a traditional downlight.
- Precision molded lens features high transmission polymer with UV stabilized protecting film

ELECTRICAL JUNCTION BOX MOUNTING

- SLD may be used in compatible electrical junction boxes in direct contact with insulation including spray foam insulation.
- Suitable for installation in many standard and fire-rated 3-1/2" and 4" square, octagon, and round electrical junction boxes.
- Surface mounting in a fire-rated electrical box offers a cost-effective alternative to fire-rated recessed housings.
- Note:** Fire-rating is per listing of the junction box, not the SLD.
- Installer must ensure compatibility of fit, wiring and proper mounting in the electrical junction box. This includes all applicable national and local electrical and building codes.
- Proprietary Slot-N-Lock quick installation system for junction box installation.
- T-bracket with Slot-N-Lock mounting tabs included.

RECESSED HOUSING MOUNTING

- Note:** SLD is not for use in recessed housings in direct contact with spray foam insulation per NEMA LSD 57-2013.

Torsion Spring 5" & 6"

- Optional precision formed torsion spring bracket kit is included.
- The torsion springs adjust on the frame to fit 5" or 6" compatible housings.

Friction Blade 5" & 6"

- Optional precision formed friction blades included.
- For retrofit in 5" and 6" housings without torsion spring mounting tabs.
- Friction blade design allows the SLD to be installed in any position within the housing aperture (360 degrees).

LED

- Trilateral linear LED assembly is integrated in trim perimeter.
- Color Temperature: 3000K
- CRI options: 80 and 90
- L70 at 50,000 hours projected in accordance with TM-21

WARRANTY

Cooper Lighting provides a five year limited warranty on the SLD LED.

LED CHROMATICITY

- A tight chromaticity specification ensures LED color uniformity, sustainable Color Rendering Index (CRI) and Correlated Color Temperature (CCT) over the useful life of the LED
- LED chromaticity of 3 SDCM initial and 5 SDCM life exceeds ENERGY STAR® color standards per ANSI C78.377-2008.
- Every Halo LED is quality tested, measured, and serialized in a permanent record to register lumens, wattage, CRI and CCT.
- Halo LED serialized testing and measurement ensures color and lumen consistency on a per-unit basis, and validates long-term product consistency over time.

ELECTRICAL CONNECTIONS

- The included E26 Edison screw-base adapter provides capability for retrofit.
- LED connector is a non-screwbase luminaire disconnect for tool-less installation

Junction Box

- Pigtail adapter included for ease of installation

Recessed Housings

- LED connector is compatible with Halo 5" H550 Series and 6" H750 Series LED Housings.
- LED Connector meets California Title-24 and Washington State high-efficacy luminaire standard as a non-screw base socket

LED DRIVER

- Driver is 120V and dimmable.
- Driver is a high efficiency, electronic power supply providing DC power to the LED array
- Driver meets FCC EMI/RFI Consumer Level limits on 120V main inputs, and is suitable for use in residential and commercial installations
- Driver features high power factor, low THD, and has integral thermal protection in the event of over temperature or internal failure.

Catalog #		Type
Project		
Comments		Date
Prepared by		

- Driver is replaceable if it should be required.

DIMMING

- SLD is designed for dimming capability to nominally 10% with many 120V Leading Edge (LE) and Trailing Edge (TE) Phase Control dimmers. Dimming capability to 5% (80CRI) or 6% (90CRI) is possible using select dimmers with low end trim adjustment (Consult dimmer manufacturer for compatibility and details. Note some dimmers require a neutral in the wallbox.)

COMPLIANCE

- cULus Listed ceiling and wall
- cULus Damp Location listed ceiling and wall
- cULus Wet Location Listed, ceiling only (shower rated)
- RoHS Compliant
- SLD may be used in compatible electrical junction boxes in direct contact with insulation including spray foam insulation.
- May be installed in IC recessed housings in direct contact with insulation (Not for use in recessed housings in direct contact with spray foam insulation. Refer to NEMA LSD 57-2013.)
- UL Classified when used in retrofit with listed housings (See Housing Compatibility)

QUALIFICATION

- ENERGY STAR® Qualified (refer to ENERGY STAR® Qualified Products List)
- May be used for high efficacy luminaire code compliance
 - State of California Title 24 and registered in the CEET20 Appliance Database
 - International Energy Conservation Code (IECC)
 - Washington State Energy Code (WSEC)
- Suitable for use in closets, compliant with NFPA® 70, NEC® Section 410.16 (A)(3) and 410.16 (C)(5).

AIR-TITE™

- Certified under ASTM-E283 to meet insulated ceiling and restricted air-flow requirements such as:
 - State of California Title 24 "Recessed Luminaires in Insulated Ceilings"
 - International Energy Conservation Code (IECC)
 - Washington State Energy Code (WSEC)
 - New York State Energy Conservation Construction Code (NY-ECCC)



SLD606830WH SLD606930WH

6" Surface LED Downlight

Suitable for ceiling or wall electrical junction boxes

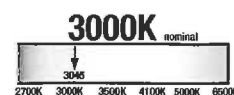
Suitable for 5" & 6" recessed housing retrofit (IC, Non-IC & AIR-TITE™)

ENERGY DATA

	80 CRI	90 CRI
Lumens	675	675
Input Voltage	120V	120V
Frequency	50/60 Hz	50/60 Hz
Input Current	0.15 A	0.15 A
Input Power	12.5 W	12.9 W
Efficiency	54 lm/W	52 lm/W
THD	≤ 20%	
Power Factor	≥ 0.90	
T Ambient	-30 - +40°C	
Sound Rating	≤ 22 dba	



*Qualified and compliant. Refer to ENERGY STAR® Qualified Products List and CEC (T24) Appliance Database for listings.



Cooper Lighting

by **F.T.N**

ADV131306

October 31, 2013 3:36 PM

ORDERING INFORMATION

SAMPLE NUMBER: SLD606830WH

Order junction box separately, as supplied by others, to complete installation.
Order Halo recessed housing separately to complete installation.

Models	Color Rendering Index	Color Temperature (CCT)	Finish
SLD606= 6" Surface LED Downlight, 120V	8=80 CRI 9=90 CRI	30=3000K	WH=White

HOUSINGS - Halo and All-Pro UL Listed Compatibility

Compatible Halo LED Housings with LED luminaire connector (high-efficacy compliant)

	Recessed Can Size	Catalog Number	Description
HALO	5"	H550ICAT	5" LED, Insulated Ceiling, AIR-TITE, New Construction Housing
		H550RICAT	5" LED, Insulated Ceiling, AIR-TITE, Remodel Housing
	6"	H750ICAT	6" LED, Insulated Ceiling, AIR-TITE, New Construction Housing
		H750RICAT	6" LED, Insulated Ceiling, AIR-TITE, Remodel Housing
		H750T	6" LED, Non-IC, AIR-TITE, New Construction Housing
		H750RINTD010	6" LED, Non-IC, AIR-TITE, Remodel International Housing, 0-10V DC Dimming
		H750TCP	6" LED, Non-IC, New Construction/Remodel Chicago Plenum Housing
		H2750ICAT	6" LED, Shallow, Insulated Ceiling, AIR-TITE, New Construction Housing

Compatible Halo Incandescent E26 Screwbase Housings

HALO	5"	H5ICAT	5" Insulated Ceiling, AIR-TITE New Construction Housing
		H5RICAT	5" Insulated Ceiling, AIR-TITE Remodel Housing
		H5T	5" Non-IC, New Construction Housing
		H5RT	5" Non-IC, Remodel Housing
		H5TM	5" Non-IC, New Construction Housing (metric version - Canada)
		H25ICAT	5" Shallow, Insulated Ceiling, AIR-TITE New Construction
	6"	H7ICAT	6" Insulated Ceiling, AIR-TITE New Construction Housing
		H7RICAT	6" Insulated Ceiling, AIR-TITE Remodel Housing
		H7ICT	6" Insulated Ceiling, New Construction Housing
		H7RICT	6" Insulated Ceiling, Remodel Housing
		H7ICATNB	6" Insulated Ceiling, AIR-TITE New Construction Housing, No Socket Bracket
		H7ICTNB	6" Insulated Ceiling, New Construction Housing, No Socket Bracket
		H7T	6" Non-IC, New Construction Housing
		H7RT	6" Non-IC, Remodel Housing
		H7TNB	6" Non-IC, New Construction Housing, No Socket Bracket
		H7TCP	6" Non-IC, Chicago Plenum, New Construction/Remodel Housing
		H7UICT	6" Insulated Ceiling, Universal New Construction Housing
		H7UICAT	6" Insulated Ceiling, Universal, AIR-TITE, New Construction Housing
		H27ICAT	6" Shallow, Insulated Ceiling, AIR-TITE New Construction Housing
		H27RICAT	6" Shallow, Insulated Ceiling, AIR-TITE Remodel Housing
		H27ICT	6" Shallow, Insulated Ceiling, New Construction Housing
		H27RICT	6" Shallow, Insulated Ceiling, Remodel Housing
		H27T	6" Shallow, Non-IC, New Construction Housing
		H27RT	6" Shallow, Non-IC, Remodel Housing

HOUSINGS - Halo and All-Pro UL Listed Compatibility (continued)

Halo LED Retrofit Enclosures

HALO	6"	ML7BXRFK	6" Retrofit Enclosure, Non-IC, BX Whip
		ML7E26RFK	6" Retrofit Enclosure, Non-IC, E26 Screw base Interface

Compatible All-Pro Incandescent E26 Screwbase Housings

	Recessed Can Size	Catalog Number	Description
All-Pro	5"	EI500AT	5" Insulated Ceiling, AIR-TITE New Construction Housing
		EI500RAT	5" Insulated Ceiling, AIR-TITE Remodel Housing
		ET500	5" Non-IC, New Construction Housing
		ET500R	5" Non-IC, Remodel Housing
	6"	EI700AT	6" Insulated Ceiling, AIR-TITE New Construction Housing
		EI700RAT	6" Insulated Ceiling, AIR-TITE Remodel Housing
		EI700	6" Insulated Ceiling, New Construction Housing
		EI700R	6" Insulated Ceiling, Remodel Housing
		EI700ATNB	6" Insulated Ceiling, AIR-TITE New Construction Housing, No Socket Bracket
		EI700NB	6" Insulated Ceiling, New Construction Housing, No Socket Bracket
		EI700U	6" Insulated Ceiling, Universal New Construction Housing
		EI700UAT	6" Insulated Ceiling, Universal, AIR-TITE, New Construction Housing
		ET700	6" Non-IC, New Construction Housing
		ET700R	6" Non-IC, Remodel Housing
		EI2700AT	6" Shallow, Insulated Ceiling, AIR-TITE New Construction Housing
		EI2700	6" Shallow, Insulated Ceiling, New Construction Housing
		EI2700R	6" Shallow, Insulated Ceiling, AIR-TITE Remodel Housing
		ET2700	6" Shallow, Non-IC, New Construction Housing
		ET2700R	6" Shallow, Non-IC, Remodel Housing

HOUSINGS - UL Classified for retrofit compatibility

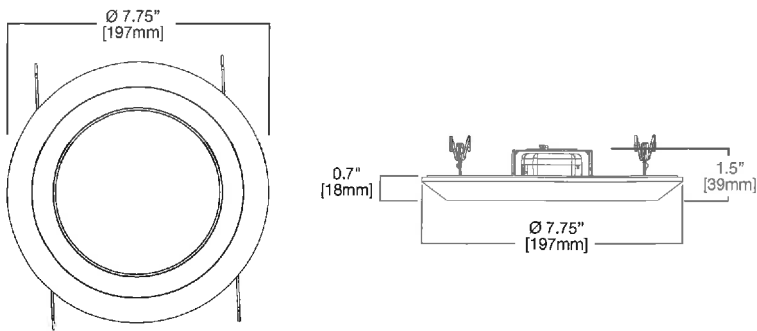
UL Classified for retrofit in the following 5" and 6" recessed housings:

Juno®	IC22, IC22R, IC22W, IC22S, IC23, IC23W, IC21, IC21R, IC2, TC2, TC2R, IC20, IC20R, IC25, IC25R, IC25W, IC25S, TC20, TC20R
Capri	CR1, PR1, QL1, R9ASIC, R5*
Lightolier®	1104ICS*, 1104ICR*, 1104SIC*, 1104SICR*, 1004ICS*, 1004ICR*, 1004SIC*, 1004SICR* 1104ICX - Requires installation of ML7RAB retrofit adapter band accessory (not included).
Progress® Lighting	P87-AT*, P86TG
Lithonia Lighting®	L7X, L7XP
Thomas® Lighting	PS1, R9ASIC/PS9RM
Prescolite®	IBXS
Commercial Electric™	C7ICA (H3), H18
Elco Lighting®	(HL7ICA) EL7ICA

*Requires installation with included friction clips.

Juno®, Capri Lighting, Lightolier®, Lithonia Lighting®, Thomas® Lighting, Elco Lighting®, Progress® Lighting, Prescolite® and Commercial Electric™ and their product brand names, where identified above, are tradenames or trademarks of each respective company and Cooper makes no representations on these trademarks.

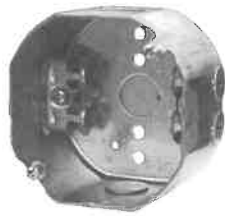
DIMENSIONS



COMPATIBLE WITH EATON'S CROUSE-HINDS STANDARD / FIRE-RATED JUNCTION BOXES



TP316
for non-metallic cable



TP317
for metal clad cable

- **TP316** - for non-metallic cable
- **TP317** - for metal clad cable
- UL Listed
- Two-hour fire-rated ANSI/UL 263
- Refer to www.crouse-hinds.com

COMPATIBLE WITH MANY OTHER STANDARD AND FIRE-RATED JUNCTION BOXES*



**4" octagon light fixture/
fan steel box**
4" x 4" x 2-1/8"
(102mm x 102mm x 54mm)



4" octagon steel box
4" x 4" x 1-1/2"
(102mm x 102mm x 38mm)



**4" square deep
steel box**
4" x 4" x 2-1/8"
(102mm x 102mm x 54mm)



**4" square standard
steel box**
4" x 4" x 1-1/2"
(102mm x 102mm x 38mm)



**4" round new work
non-metallic light fixture/
fan box**
4" x 2-3/16"
(102mm x 56mm)



**3-1/2" round new work
non-metallic ceiling box**
3-1/2" x 2-3/4"
(89mm x 70mm)



**3-1/2" round old work
non-metallic box**
4-1/4" flange x 2-5/8",
3-1/2" I.D.
(108mm x 67mm, 89mm I.D.)

*This is a representative list of compatible junction boxes only. Information contained in this literature about other manufacturers' products is from published information made available by the manufacturer and is deemed to be reliable, but has not been verified. Cooper Lighting makes no specific recommendation on product selection and there are no warranties of performance or compatibility implied. Installer must determine that site conditions are suitable to allow proper installation of the SLD mounting bracket in the box.

DESCRIPTION

The patent pending Lumark Crosstour™ LED Wall Pack Series of luminaires provides an architectural style with super bright, energy efficient LEDs. The low-profile, rugged die-cast aluminum construction, universal back box, stainless steel hardware along with a sealed and gasketed optical compartment make the Crosstour impervious to contaminants. The Crosstour wall luminaire is ideal for wall/surface, inverted mount for façade/canopy illumination, post/bollard, site lighting, floodlight and low level pathway illumination including stairs. Typical applications include building entrances, multi-use facilities, apartment buildings, institutions, schools, stairways and loading docks.

SPECIFICATION FEATURES

Construction

Slim, low profile LED design with rugged one-piece, die-cast aluminum hinged removable door and back box. Matching housing styles incorporate both a small and large design. The small housing is available in 10W and 20W. The large housing is available in the 30W model. Patent pending secure lock hinge feature allows for safe and easy tool-less electrical connections with the supplied push-in connectors. Back box includes three (3) half-inch, NPT threaded conduit entry points. The universal back box supports both the small and large forms and mounts to standard 3-1/2" to 4" round and octagonal, 4" square, single gang and masonry junction boxes. Key hole gasket allows for adaptation to junction box or wall. External fin design extracts heat from the fixture surface. One-piece silicone gasket seals door and back box. Minimum 5" wide pole for site lighting application. Not recommended for car wash applications.

Optical

Silicone sealed optical LED chamber incorporates a custom engineered mirrored anodized reflector providing high-efficiency illumination. Optical assembly includes impact-resistant tempered glass and meets IESNA requirements for full cutoff compliance. Solid state LED Crosstour luminaires are thermally optimized with five (5) lumen packages in cool 5000K or neutral warm 3500K LED color temperature (CCT).

Electrical

LED driver is mounted to the die-cast housing for optimal heat sinking. LED thermal management system incorporates both conduction and natural convection to transfer heat rapidly away from the LED source. 10W models operate in -40°C to 40°C [-40°F to 104°F]. 20W and 30W models operate in -30°C to 40°C [-22°F to 104°F]. Crosstour luminaires maintain greater than 70% of initial light output after 50,000 hours of operation. Three (3) half-inch

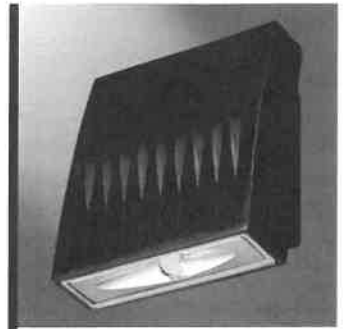
NPT threaded conduit entry points allow for thru-branch wiring. Back box is an authorized electrical wiring compartment. Integral LED electronic driver incorporates surge protection. 10W, 120V 50/60 Hz., 20W and 30W, 120-277V or 347V 50/60Hz models.

Finish

Crosstour is protected with a Super durable TGIC carbon bronze or summit white polyester powder coat paint. Super durable TGIC powder coat paint finishes withstand extreme climate conditions while providing optimal color and gloss retention of the installed life.

Warranty

Five-year limited warranty.

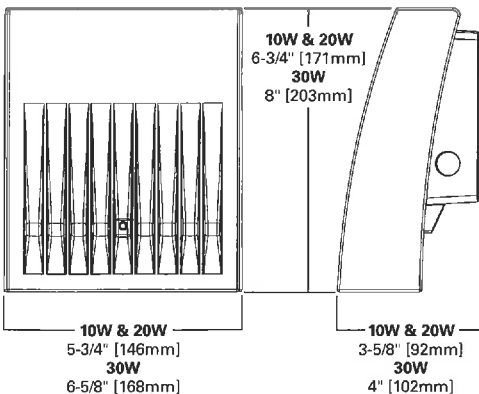


**XTOR
CROSSTOUR LED**

- APPLICATIONS:**
WALL / SURFACE
POST / BOLLARD
LOW LEVEL
FLOODLIGHT
INVERTED
SITE LIGHTING

DESIGNLIGHTS
CONSORTIUM

DIMENSIONS



CERTIFICATION DATA

- UL/cUL Wet Location Listed
- IP66 Ingress Protection Rated
- ADA Compliant
- LM79 / LM80 Compliant
- ROHS Compliant
- ARRA Compliant
- DLC Qualified Models
- Lighting Facts® Approved
- Title 24 Compliant
- NOM Compliant Models

TECHNICAL DATA

- 40°C Maximum Ambient Temperature
- External Supply Wiring 90°C Minimum

EPA

- Effective Projected Area:
(Sq. Ft.)
XTOR1A/XTOR2A=0.34
XTOR3A = 0.45

SHIPPING DATA:

- Approximate Net Weight:
3.7 – 5.25 lbs. [1.7 – 2.4 kgs.]

ORDERING INFORMATION

Sample Number: XTOR2A-N-WT-PC1

Series XTOR1A=Small Door, 10W ¹ XTOR2A=Small Door, 20W ² XTOR3A=Large Door, 30W ²	LED Kelvin Color ³ ___=Bright White (Standard) N=Neutral Warm White, 3500K	Housing Color ___=Carbon Bronze (Standard) WT=Summit White	Options ^{4 5} 347=347V ⁶ PC1=Photocontrol 120 V PC2=Photocontrol 208-277 V ^{3, 7} HA=50 Degrees C High Ambient ⁸	Accessories ⁹ WG/XTOR=Wireguard ⁹ XTORFLD-KNC=Knuckle Floodlight Kit ¹⁰ XTORFLD-KNC-W=Knuckle Floodlight Kit, White ¹⁰ XTORFLD-TRN=Trunnion Floodlight Kit ¹⁰ XTORFLD-TRN-WT=Trunnion Floodlight Kit, 10 White
--	--	---	---	---

- Notes: 1 120V only, XTOR1A not available in 3500K.
 2 Design Lights Consortium™ qualified. Consult Design Lights Consortium website.
 3 PC2 only available in 20W and 30W models.
 4 Photocontrols are factory installed. PC2 not available on XTOR1A.
 5 Specify voltage.
 6 Thru-branch wiring not available with HA option or with 347V. HA models are made to order. Consult factory for lead time.
 7 Order PC2 for 347V models.
 8 Order accessories separately.
 9 Wireguard for wall/surface mount. Not for use with Floodlight Kit accessory.
 10 Floodlight Kit accessory supplied with Knuckle (KNC) or Trunnion (TRN) base, small and large top visors and small and large impact shields.

DesignLights™ Consortium Qualified. Refer to www.designlights.org Qualified Products List under Family Models for details.

STOCK ORDERING INFORMATION

10W Series	20W Series	30W Series
XTOR1A=10W, 5000K, Carbon Bronze	XTOR2A=20W, 5000K, Carbon Bronze	XTOR3A=30W, 5000K, Carbon Bronze
XTOR1A-WT=10W, 5000K, Summit White	XTOR2A-N=20W, 3500K, Carbon Bronze	XTOR3A-N=30W, 3500K, Carbon Bronze
XTOR1A-PC1=10W, 5000K, 120V PC, Carbon Bronze	XTOR2A-WT=20W, Summit White	XTOR3A-WT=30W, Summit White
	XTOR2A-PC1=20W, 120V PC, Carbon Bronze	XTOR3A-PC1=30W, 120V PC, Carbon Bronze



Days Quick-Ship

5-DAY QUICK SHIP ORDERING INFORMATION

10W Series	20W Series	30W Series
XTOR1A-WT-PC1=10W, 5000K, Summit White, 120V PC	XTOR2A-PC2=20W, 5000K, 208-277V PC, Carbon Bronze	XTOR3A-PC2=30W, 5000K, 208-277V PC, Carbon Bronze
	XTOR2A-WT-PC1=20W, 5000K, Summit White, 120V PC	XTOR3A-WT-PC1=30W, 5000K, Summit White, 120V PC
	XTOR2A-WT-PC2=20W, 5000K, Summit White, 208-277V PC	XTOR3A-WT-PC2=30W, 5000K, Summit White, 208-277V PC
	XTOR2A-N-WT=20W, 3500K, Summit White	XTOR3A-N-WT=30W, 3500K, Summit White
	XTOR2A-N-PC1=20W, 3500K, 120V PC, Carbon Bronze	XTOR3A-N-PC1=30W, 3500K, 120V PC, Carbon Bronze
	XTOR2A-N-PC2=20W, 3500K, 208-277V PC, Carbon Bronze	XTOR3A-N-PC2=30W, 3500K, 208-277V PC, Carbon Bronze
	XTOR2A-N-WHT-PC1=20W, 3500K, Summit White, 120V PC	XTOR3A-N-WHT-PC1=30W, 3500K, Summit White, 120V PC
	XTOR2A-N-WT-PC2=20W, 3500K, Summit White, 208-277V PC	XTOR3A-N-WT-PC2=30W, 3500K, Summit White, 208-277V PC

LUMEN MAINTENANCE

Ambient Temperature	TM-21 Lumen Maintenance (60,000 Hours)	Theoretical L70 (Hours)
10W Model		
25°C	> 89%	> 150,000
40°C	> 88%	> 125,000
50°C	> 87%	> 100,000
20W Model		
25°C	> 97%	> 200,000
40°C	> 96%	> 170,000
50°C	> 85%	> 150,000
30W Model		
25°C	> 97%	> 200,000
40°C	> 96%	> 170,000
50°C	> 95%	> 150,000

LUMENS - CRI/CCT TABLE

LED Information	XTOR1A	XTOR2A	XTOR2A-N	XTOR3A	XTOR3A-N
Delivered Lumens (Wall Mount)	719	1432	1323	2649	2273
Delivered Lumens (With Flood Accessory Kit)	703	1424	1315	2614	2243
CCT (Kelvin)	5000	5000	3500	5000	3500
CRI (Color Rendering Index)	68	65	68	65	68

CURRENT DRAW

Voltage	Model Series		
	10W	20W	30W
120V	0.12A	0.21A	0.29A
208V	--	0.13A	0.18A
240V	--	0.12A	0.16A
277V	--	0.10A	0.14A
347V	--	0.08A	0.11A

DESCRIPTION

The Talon is the most versatile, functionally designed, universally adaptable outdoor luminaire available. Incorporating modular LED LightBAR™ technology, Talon brings outstanding uniformity and energy-conscious illumination to walkways, parking lots, roadways, building areas, and any security lighting application. UL/ cUL listed for wet locations.

Catalog #		Type
Project		
Comments		Date
Prepared by		

SPECIFICATION FEATURES

Construction

One-piece heavy-wall, die-cast aluminum construction with integral reveal channels along top surface of housing. Optimized for reliable operation from 40°C down to -40°C, internal cast-in wall separates optical and electrical chambers allowing components to operate cooler. Stainless steel latches and hinges allow for tool-less opening and removal of door frame.

Optics

Choice of thirteen (13) patented, high-efficiency AccuLED Optics™ manufactured from injection-molded acrylic. Optics are precisely designed to shape the distribution maximizing efficiency and application spacing. AccuLED optics create consistent distributions with the scalability to meet customized application requirements. Talon optics feature quick disconnect wiring plugs and are field-rotatable in 90° increments allowing manipulation of distribution independent of fixture position. Offered standard

in 4000K (+/- 275K) CCT and nominal 70 CRI.

Electrical

Offered standard with LED drivers and related electrical componentry hard mounted to die-cast housing details for optimal heat transfer and operating efficiency. Talon operates from 120-277V 50/60Hz, 347V 60Hz, 480V 60Hz. Optional galvanized steel swing-down power tray with integral handle allow tray to be removed from housing providing ample hand and tool room for attachment of fixture during installation. Offered standard with the Cooper Lighting proprietary circuit module designed to withstand 10kV transient line surge. 90% lumen maintenance expected at 60,000 hours. LightBARs™ feature an IP66 enclosure rating.

Mounting

Extruded 8" aluminum arm includes internal bolt guides allowing for easy positioning of fixture during installation to pole or wall surface. Standard single

carton packaging of housing, square pole arm and round pole adapter for contractor-friendly arrival of product on site. Optional mounting methods include a wall mount plate, an external mast arm that accepts 2-3/8" O.D. horizontal tenons and direct mounting to pole or wall surfaces. Tenon adapters available to slipfit over poles equipped with 2-3/8" or 3-1/2" O.D. tenon. 3G vibration rated.

Finish

Housing and arm finished in a 5-stage Super TGIC polyester powder coat paint, 2.5 mil nominal thickness for superior protection against fade and wear. Standard colors include black, bronze, grey, white, dark platinum, and graphite metallic. RAL and custom color matches available. Consult the McGraw-Edison Architectural Colors brochure for the complete selection.

Warranty

Five-year warranty.



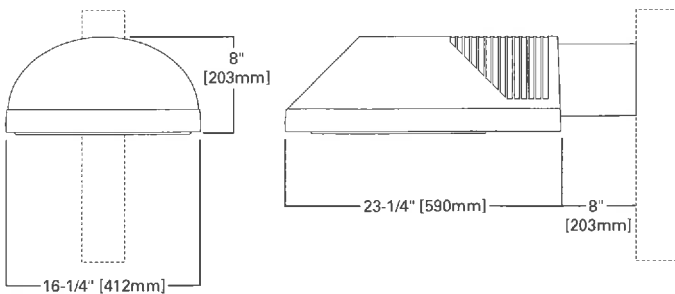
**TLM
TALON MEDIUM
LED**

2 - 6 LightBARs
Solid State LED

ARCHITECTURAL AREA
LUMINAIRE

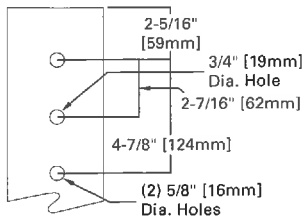


DIMENSIONS

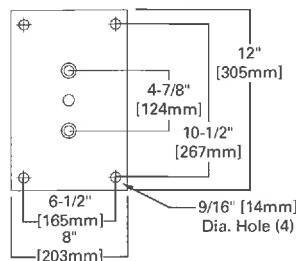


ARM DRILLING

TYPE "M"



WALL MOUNT



CERTIFICATION DATA

UL/cUL Listed
LM79 / LM80 Compliant
IP66 LightBARs
3G Vibration Rated
ARRA Compliant
ISO 9001

ENERGY DATA

Electronic LED Driver
>0.9 Power Factor
<20% Total Harmonic Distortion
120-277V/50 & 60hz, 347V/60hz, 480V/60hz
-40°C Minimum Temperature
40°C Ambient Temperature Rating

EPA

Effective Projected Area: (Sq. Ft.)
1.89 with 8" Arm

SHIPPING DATA

Approximate Net Weight:
42 lbs. (25.91 kgs.)



POWER AND LUMENS BY BAR COUNT

Number of LightBARs	DISTRIBUTION														SLR/SLL
	Power [Watts]	Current @ 120V [A]	Current @ 277V [A]	T2	T3	T3S	T4	SL2	SL3	SL4	5MQ	5WQ	5XQ	RW	
7 LED LIGHTBAR															
C01	27	0.23	0.13	1,819	1,798	1,757	1,811	1,805	1,746	1,734	1,923	1,930	1,868	1,834	1,660
C02	54	0.46	0.21	3,509	3,469	3,391	3,495	3,484	3,368	3,347	3,711	3,724	3,605	3,540	3,203
C03	77	0.65	0.29	5,291	5,230	5,112	5,269	5,252	5,078	5,046	5,594	5,614	5,436	5,337	4,829
C04	101	0.86	0.37	6,983	6,902	6,747	6,954	6,932	6,703	6,660	7,383	7,410	7,174	7,043	6,373
C05	131	1.11	0.50	8,362	8,265	8,079	8,327	8,300	8,026	7,975	8,841	8,872	8,590	8,434	7,631
C06	154	1.30	0.58	10,119	10,002	9,777	10,077	10,045	9,712	9,651	10,699	10,737	10,396	10,206	9,235
21 LED LIGHTBAR															
B01	27	0.23	0.13	2,237	2,211	2,161	2,228	2,220	2,147	2,133	2,365	2,374	2,298	2,256	2,041
B02	51	0.43	0.20	4,317	4,267	4,171	4,299	4,285	4,143	4,117	4,564	4,580	4,435	4,354	3,940
B03	73	0.62	0.28	6,508	6,433	6,288	6,481	6,460	6,246	6,207	6,881	6,906	6,686	6,564	5,939
B04	95	0.81	0.35	8,589	8,490	8,299	8,554	8,526	8,244	8,192	9,081	9,114	8,824	8,663	7,839
B05	124	1.05	0.48	10,285	10,166	9,938	10,242	10,209	9,871	9,809	10,874	10,913	10,566	10,373	9,386
B06	146	1.24	0.56	12,446	12,302	12,026	12,395	12,355	11,946	11,871	13,159	13,207	12,786	12,554	11,359

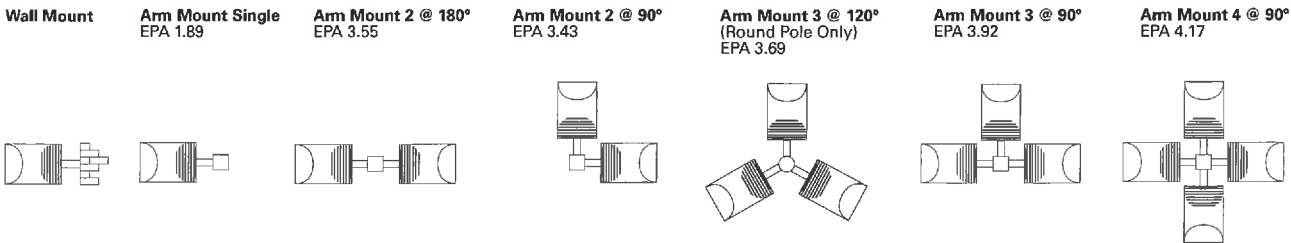
LUMEN MULTIPLIER

Ambient Temperature	Lumen Multiplier
10°C	1.04
15°C	1.03
25°C	1.00
40°C	0.96

LUMEN MAINTENANCE

Ambient Temperature	TM-21 Lumen Maintenance (60,000 Hours)	Theoretical L70 (Hours)
25°C	> 94%	> 350,000
40°C	> 93%	> 250,000
50°C	> 90%	> 170,000

MOUNTING CONFIGURATIONS



ORDERING INFORMATION

Sample Number: TLM-B03-LED-E1-T3-BK

--	--	--	--	--	--	--	--	--	--

Product Family ^{1 2}

TLM=Talon Site Medium

Number of LightBARs ^{3 4}

- B01**: [1] 21 LED LightBAR
- B02**: [2] 21 LED LightBARs
- B03**: [3] 21 LED LightBARs
- B04**: [4] 21 LED LightBARs
- B05**: [5] 21 LED LightBARs
- B06**: [6] 21 LED LightBARs
- C01**: [1] 7 LED LightBAR
- C02**: [2] 7 LED LightBARs
- C03**: [3] 7 LED LightBARs
- C04**: [4] 7 LED LightBARs
- C05**: [5] 7 LED LightBARs
- C06**: [6] 7 LED LightBARs

Lamp Type

LED: Solid State Light Emitting Diodes

Voltage

- E1**=Electronic 120-277V
- 347**=347V
- 480**=480V

Distribution

- T2**=Type II
- T3**=Type III
- T3S**=Type III Short
- T4**=Type IV
- 6MQ**: Type V Square Medium
- 6WQ**: Type V Square Wide
- 5XQ**: Type V Square Extra Wide
- SL2**: Type II w/Spill Control
- SL3**: Type III w/Spill Control
- SL4**: Type IV w/Spill Control
- RW**: Rectangular Wide
- SLL**: 90 Degree Spill Light Eliminator Left
- SLR**: 90 Degree Spill Light Eliminator Right

Color ⁵

- AP**=Grey
- BZ**=Bronze
- BK**=Black
- WH**=White
- DP**: Dark Platinum
- GM**: Graphite Metallic

Options ⁶

- P**=Button Type Photocontrol ⁷ (120V, 208, 240, or 277V)
- R**=NEMA Twistlock Photocontrol Receptacle
- PT**: Electrical Power Tray
- 2L**: Two Circuits⁸
- 7060**: 70 CRI/6000K CCT⁹
- 8030**: 80 CRI/3000K CCT⁹
- LCF**: LightBAR Cover Plate Matches Housing Finish
- WM**: Wall Mount with Arm
- DM**: Direct Mount for Round or Square Pole
- DW**: Direct Wall Mount
- MS**: External Mast Arm Adapter
- ICP**: Integral Cold Weather^{7, 10} Battery Pack (Specify 120V or 277V)
- DIM**: 0-10V Dimming Drivers¹¹

Accessories ¹²

- MA1010-XX**=Single Tenon Adapter for 3 1/2" O.D. Tenon
- MA1011-XX**=2@180° Tenon Adapter for 3 1/2" O.D. Tenon
- MA1012-XX**=3@120° Tenon Adapter for 3 1/2" O.D. Tenon
- MA1013-XX**: 4@90° Tenon Adapter for 3 1/2" O.D. Tenon
- MA1014-XX**: 2@90° Tenon Adapter for 3 1/2" O.D. Tenon
- MA1015-XX**: 2@120° Tenon Adapter for 3 1/2" O.D. Tenon
- MA1016-XX**: 3@90° Tenon Adapter for 3 1/2" O.D. Tenon
- MA1017-XX**: Single Tenon Adapter for 2 3/8" O.D. Tenon
- MA1018-XX**: 2@180° Tenon Adapter for 2 3/8" O.D. Tenon
- MA1019-XX**: 3@120° Tenon Adapter for 2 3/8" O.D. Tenon
- MA1045-XX**: 4@90° Tenon Adapter for 2 3/8" O.D. Tenon
- MA1048-XX**: 2@90° Tenon Adapter for 2 3/8" O.D. Tenon
- MA1049-XX**: 3@90° Tenon Adapter for 2 3/8" O.D. Tenon
- OA/RA1016**: NEMA Twistlock Photocontrol - Multi-Tap
- OA/RA1027**: NEMA Twistlock Photocontrol - 480V
- OA/RA1201**: NEMA Twistlock Photocontrol - 347V
- OA/RA1013**: Photocontrol Shorting Cap
- MA1253**=10kV Circuit Module Replacement

Notes: 1. DesignLights™ Consortium Qualified. Refer to www.designlights.org Qualified Products List under Family Models for details. 2. 6" arm and round pole adapter included with fixture. 3. Standard 4000K CCT and nominal 70CRI. 4. 21 LED LightBAR powered at 350mA, 7 LED LightBAR powered at 1A. 5. Custom and RAL color matching available upon request. Consult Cooper Lighting Representative for further information. 6. Add as suffix. 7. Must specify voltage. 8. Low-Level output varies by bar count specified. Consult Factory. 9. Consult Factory for lead times and lumen multiplier. 10. Available with B01 - B04 or C01 - C04 configurations only. Rated for 25° C ambient. 11. Rated for 25° C ambient. 12. Order separately, replace XX with color suffix.

TMSLIGHTING

Features

- Asymmetrical reflector provides uniform coverage, even at close range
- Customizable for application and design flexibility
- Approved for indoor and outdoor applications
- Quick ship orders available for incandescent installations
- Easy to install and maintain
- 5 years product warranty

Applications

The Sign 7 floodlight is ideal for illuminating signage at close or medium range. It also provides adequate night time security lighting.

Reflector

The reflector is angled at 30° to project light backwards onto the wall where the sign would be mounted. It is made of aluminum (aluminum is standard; other materials are available), with stainless steel hardware. It accommodates the lamp socket, and possesses good thermal characteristics. A white polyester powder coat on the inside produces a compound reflectance for uniform area coverage.

Lamp

The Sign 7 floodlight is designed to operate with LED (20W max.), compact fluorescent (42W max.), metal halide (70W max.), and incandescent lamps (150W max.), for design and application flexibility. Although the reflector is angled asymmetrically, the lamp remains in the vertical position.

Lamp Socket

All lamp sockets used are compatible with other components in the supplied system. Overall, production is in compliance with North American and European electrical standards; see Compliances.

Ballasts

Electronic compact fluorescent and pulse-start metal halide ballasts used with the Sign 7 share many attributes that contribute to the quality of light, energy savings and safety:

- Virtual flicker-free operation
- High ballast factor of 1.0 for maximum lumen maintenance
- High power factor greater than 90%
- Low THD: CF < 10%; MH < 15%
- Sound rated "A" for the most quiet operation
- EOL protection switches output OFF on lamp burnout
- Environmentally friendly, containing no PCB's
- Color-coded leads for easy installation
- Manufactured to ISO9002 Quality System Standards

Options for both ballast types include wall-mounted, remote-mounted, indoor and outdoor, with enclosures meeting the required NEMA standards for each type of application.

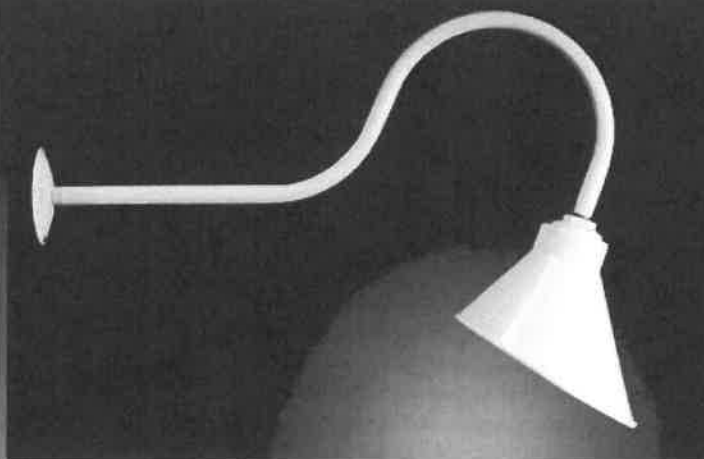
LED Driver

The LED source is controlled by an advanced electronic driver for cool, flicker-free operation, and energy savings. Built from quality components, the driver delivers consistent power, and extends LED lamp life. It is remote-mounted, and can be used on a 120V line.

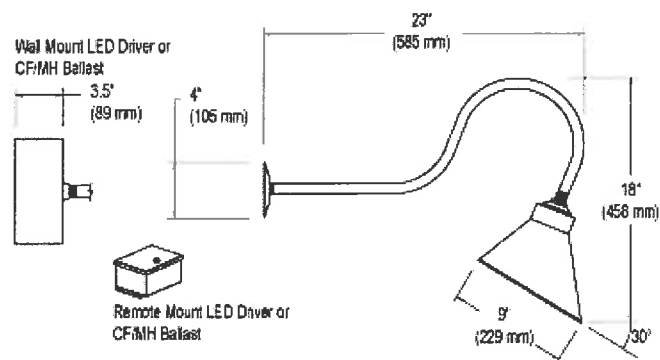
LED Dimmer

The optional LED dimmer can be installed into a standard switchbox. It controls the intensity of the light output over the full range. Integrated pulse width modulation (PWM) technol-

Sign 7 Floodlight



Dimensions



ogy ensures a consistent color temperature (CCT) when making adjustments, for no color shifts or blurs. You can adjust the amount of light while maintaining the same quality.

Finish

The Sign 7 floodlight is finished with a white, TGIC thermo set polyester powder coat on the inside of the reflector. The exterior reflector and stem could be finished with a TMS standard colour using the same process, painted in a RAL colour, or plated with a TMS specialty finish, to complement the theme.

Mounting

The rigid, aluminum conduit is designed to be mounted perpendicular to a wall, where the resulting 90° bend places the reflector in an ideal position to illuminate tall signage below - close to the sign, yet unobtrusive to view. The standard thread size is 1/2" NPT, and 3/4" NPT is available for mounting in windy areas, or for special applications where extra support is necessary.

Mount the Sign 7 floodlight on a wall, directly over a standard 4" electrical junction box with 3/2" holes c/c. The wall mount ballast requires a single connection to line voltage, and the remote mount ballast requires a connection to the lamp socket leads and another to the line voltage. See installation instructions.

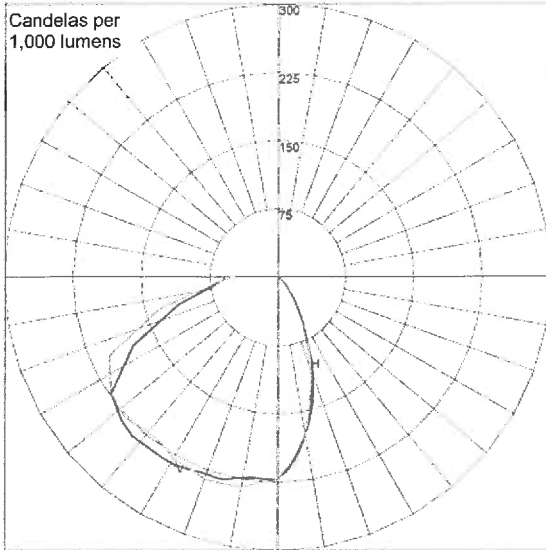
Compliances

The Sign 7 is UL/CSA approved for indoor and outdoor locations, wet and dry (IP23). It complies with USTC standards and Consultants Europe directives.

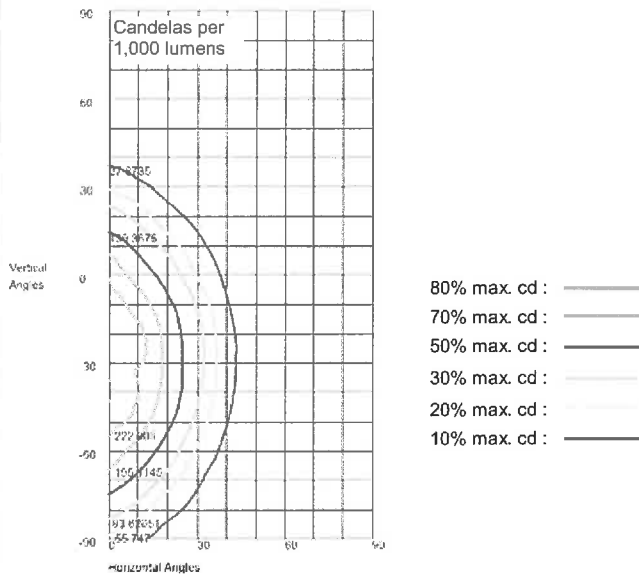


Photometric Data

IES NEMA Type : 5H x 5V



Vertical Plane @ 0°H :
 Horizontal Plane @ -29°V (max. cd):
 Angle of Max. Intensity : -19.5H -29V



Project: _____
Type: _____
Quantity: _____

Notes: _____

Specifications are subject to change without notice.

Product Key

7	-	-	-	-
1	2	3	4	

- Lamp**
 - A 1x 150W Incandescent (Outdoor)
 - B 1x 42W PL-T (Wall-mount ballast; indoor)
 - C 1x 42W PL-T (Wall-mount ballast; outdoor)
 - D 1x 70W MH ED-17 (Wall-mount ballast; indoor)
 - E 1x 70W MH ED-17 (Wall-mount ballast; outdoor)
 - H 1x 42W PL-T (Remote ballast; indoor)
 - J 1x 42W PL-T (Remote ballast; outdoor)
 - K 1x 70W MH ED-17 (Remote ballast; indoor)
 - L 1x 70W MH ED-17 (Remote ballast; outdoor)
 - M 15W LED (850 lm @ 25°C T_j)
 - N 20W LED (1,650 lm @ 25°C T_j)
- Voltage**
 - 1 120V
 - 2 277V
 - 3 347V (consult TMS)
 - 4 220 to 230V
- Finish**
 - F## TMS Standard Colors
 - RL RAL colors (consult TMS Lighting)
- Options**
 - BU Emergency Ballast (Remote; CF only; consult TMS)
 - G1 Clear Elongated 7"h x 3"d (max: INC100W, CF32W, MH70W)

North America: CF Electronic ballast supplied; 7K and 7L MH magnetic ballast supplied; LED driver supplied.
 Europe and Asia: 220 to 230V CF electronic ballast supplied; 7K and 7L MH magnetic ballast supplied; 7M: LED driver supplied.
 LED lamps are included, not others.

Custom
 TMS Lighting can customize this and many of our standard fixtures. The dimensions, lamp types, enclosure and colors could be modified to suit your lighting and architectural requirements. Contact your local representative for more details.

Warranty
 TMS Lighting covers this product with a limited warranty for a period of five (5) years from the date of purchase. This warranty is effective only when the products are used within the parameters of the recommended operating environment. Install in areas where the ambient temperature does not exceed 50°C/122°F.

TMS Lighting Inc.
 247A Summerlea Road
 Brampton, Ontario
 Canada L6T 4E1

North America (905) 793-1174
Toll-free (866) 793-1174
Fax (905) 793-1175

UK & Europe 44-1474-250-654
 44-1474-747-957

Web Site: tmslighting.com